

Singer 96-100

Form 19335
(539)

PRINTED IN U. S. A.

REPAIR DEPT.

PARTS DEPT

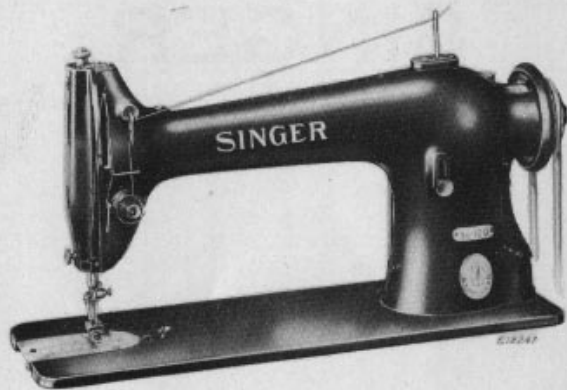
SINGER

96-100



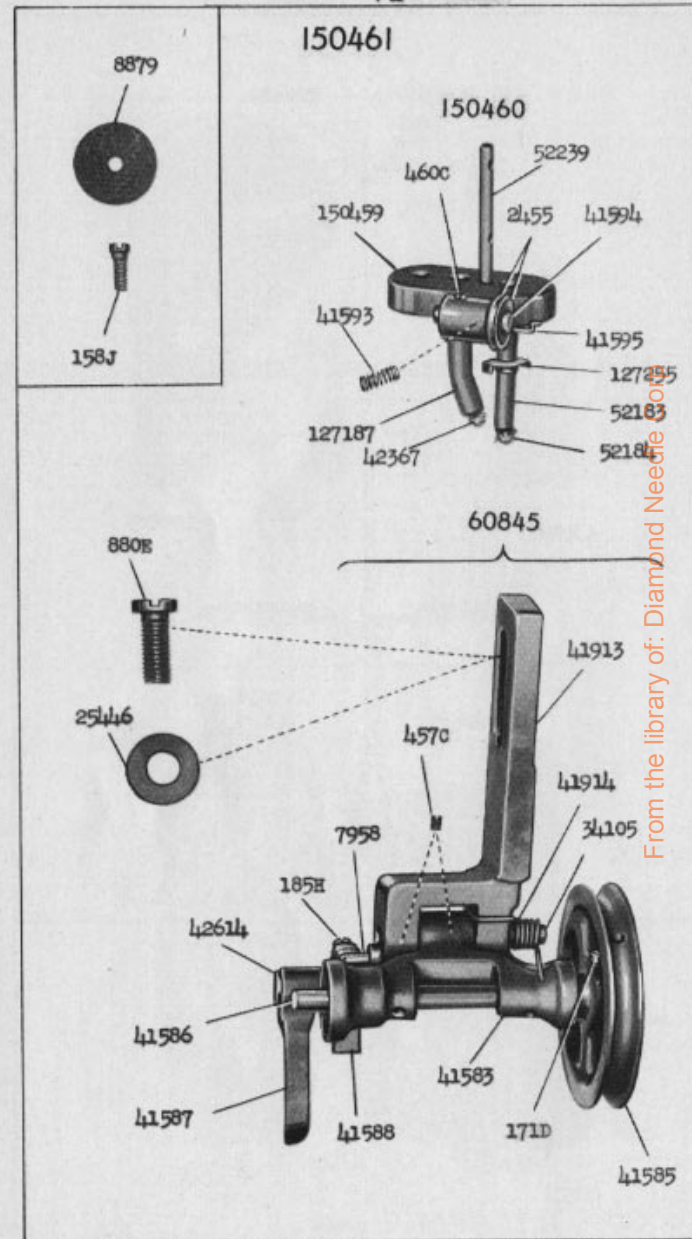
THE SINGER MANUFACTURING COMPANY

From the library of: Diamond Needle Corp



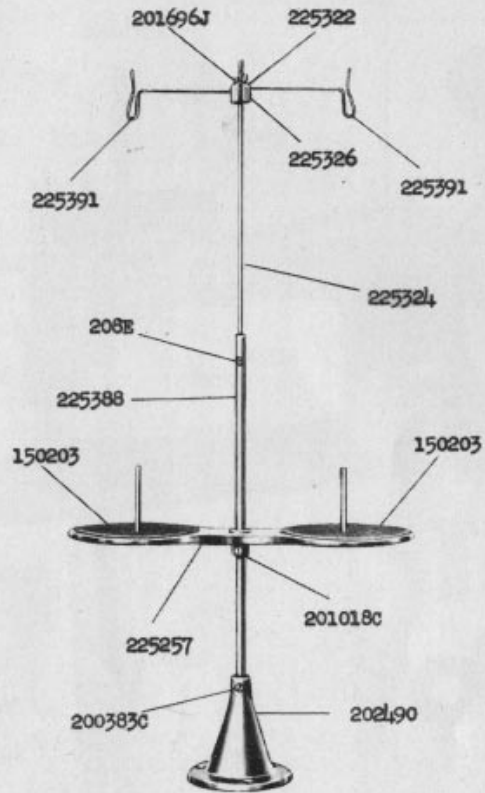
Copyright, U. S. A., 1937 and 1939
 by The Singer Manufacturing Co.
 All Rights Reserved for all Countries

22247 - 1/2



22248 - 1/6

225258



27739

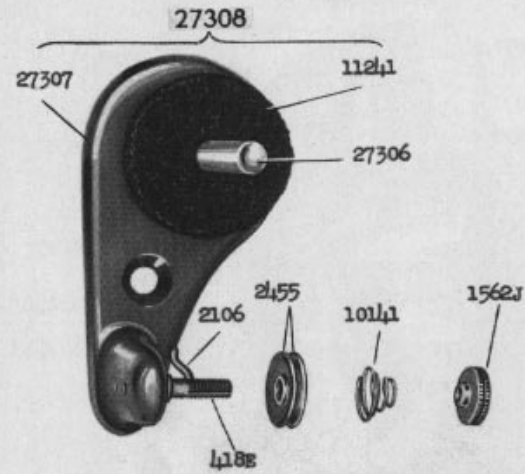


225390

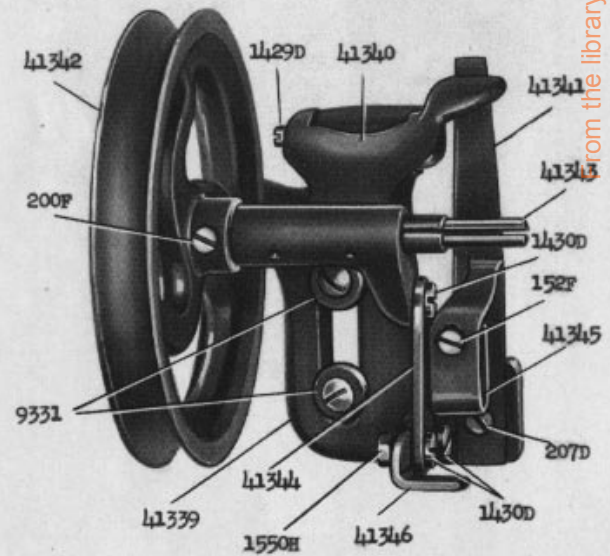


22907 - 2/3

41348

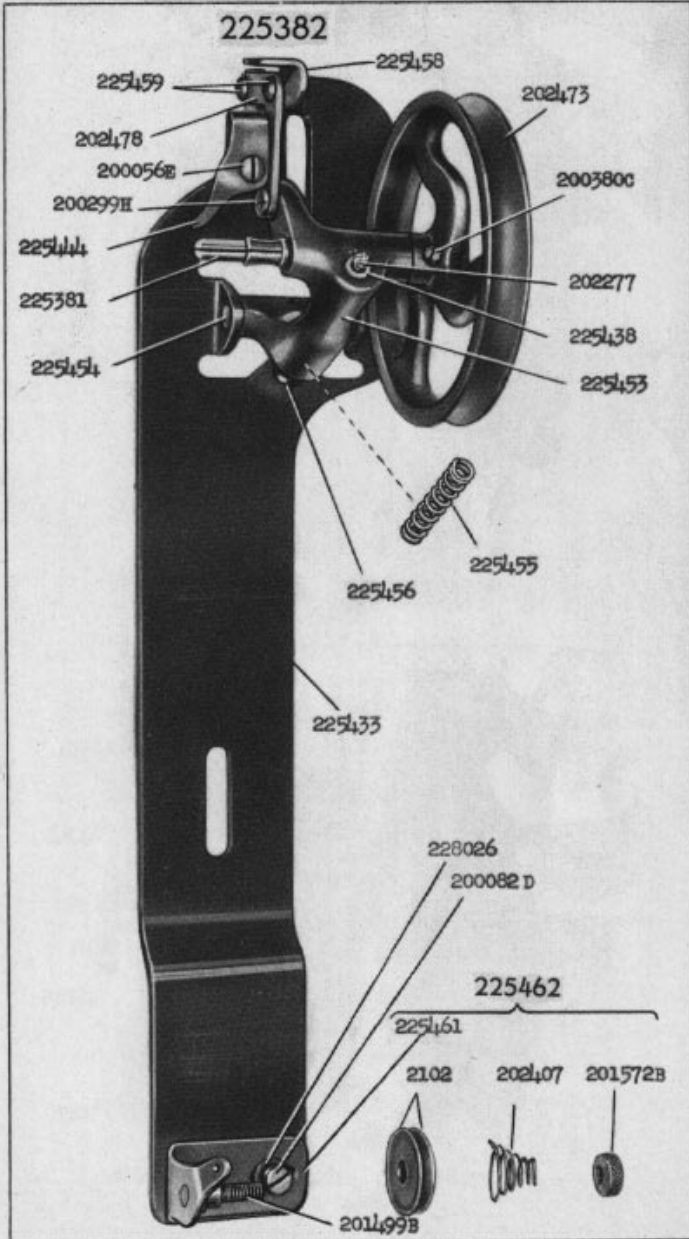


41347

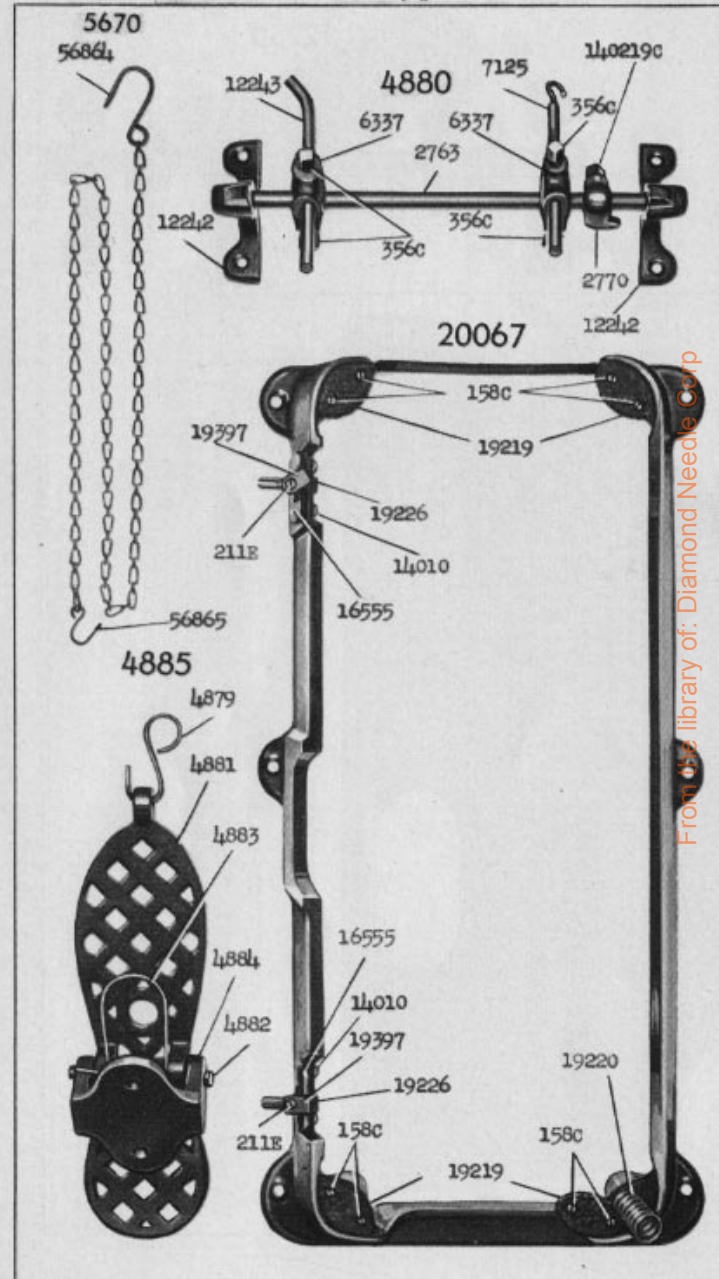


From the library of: Diamond Needle Corp

22908 - 2/3



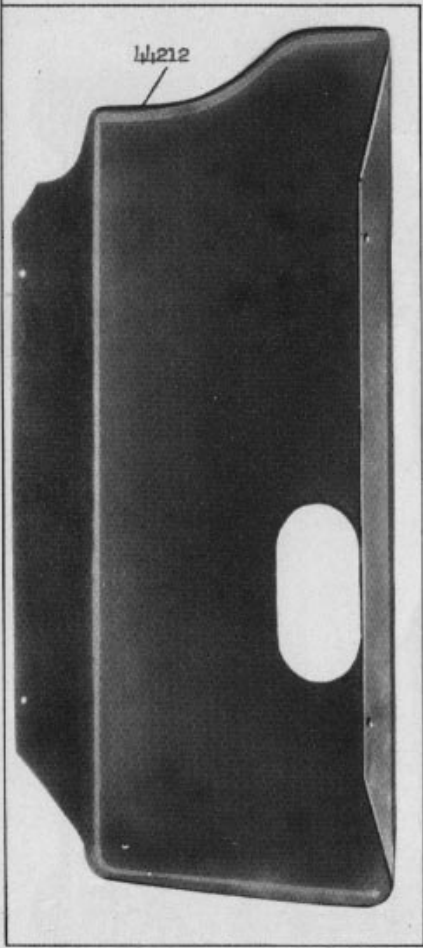
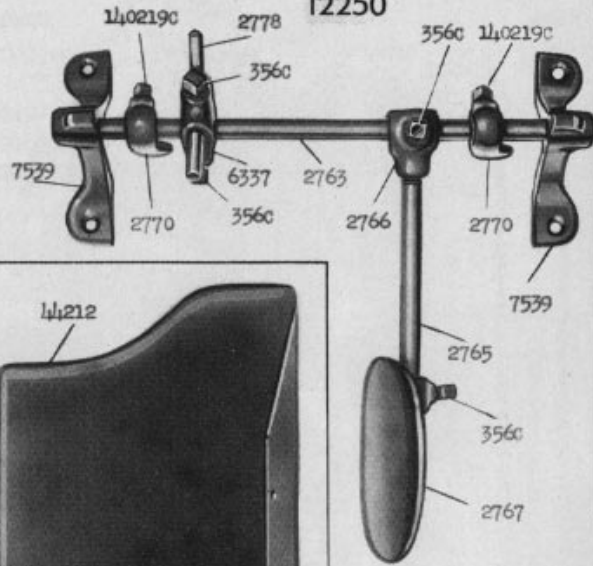
22909 - 1/4

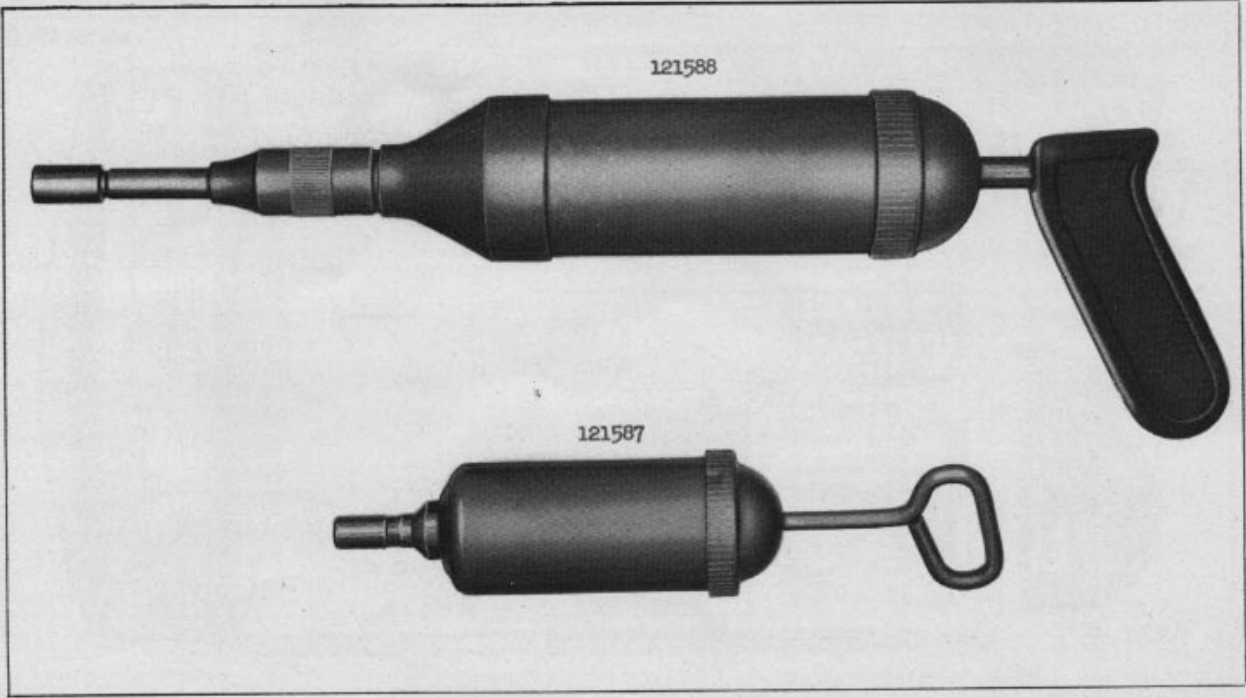


From the library of: Diamond Needle Corp

22910 - 1/4

12250

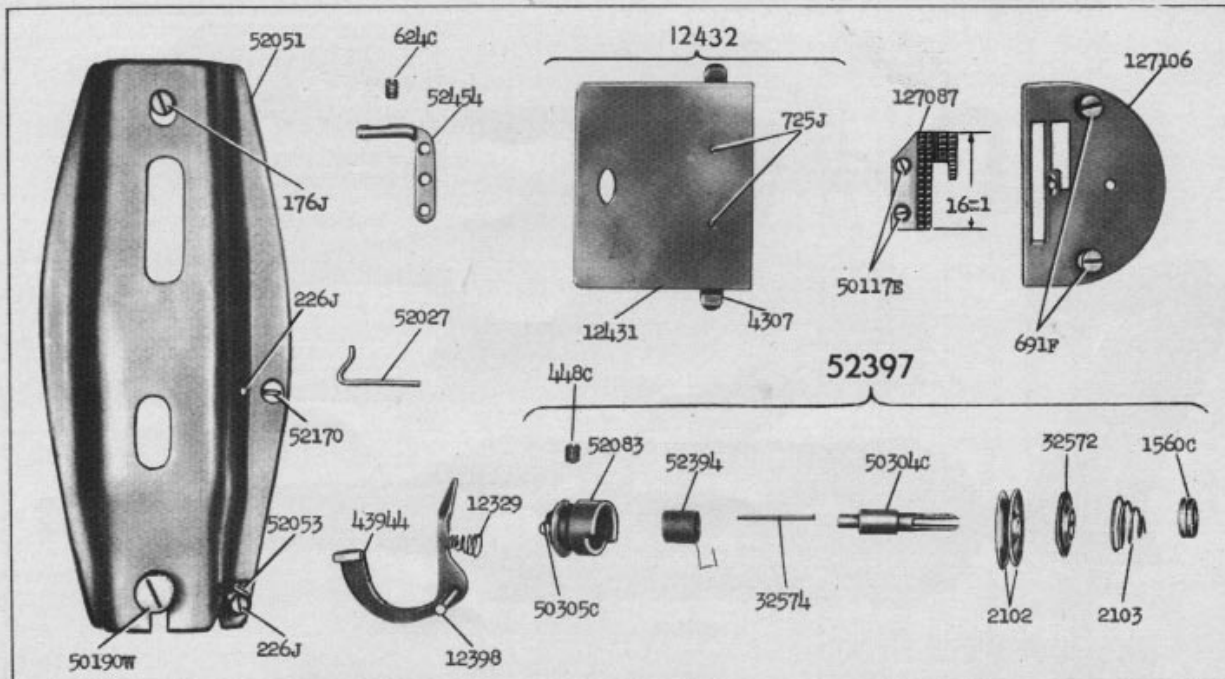




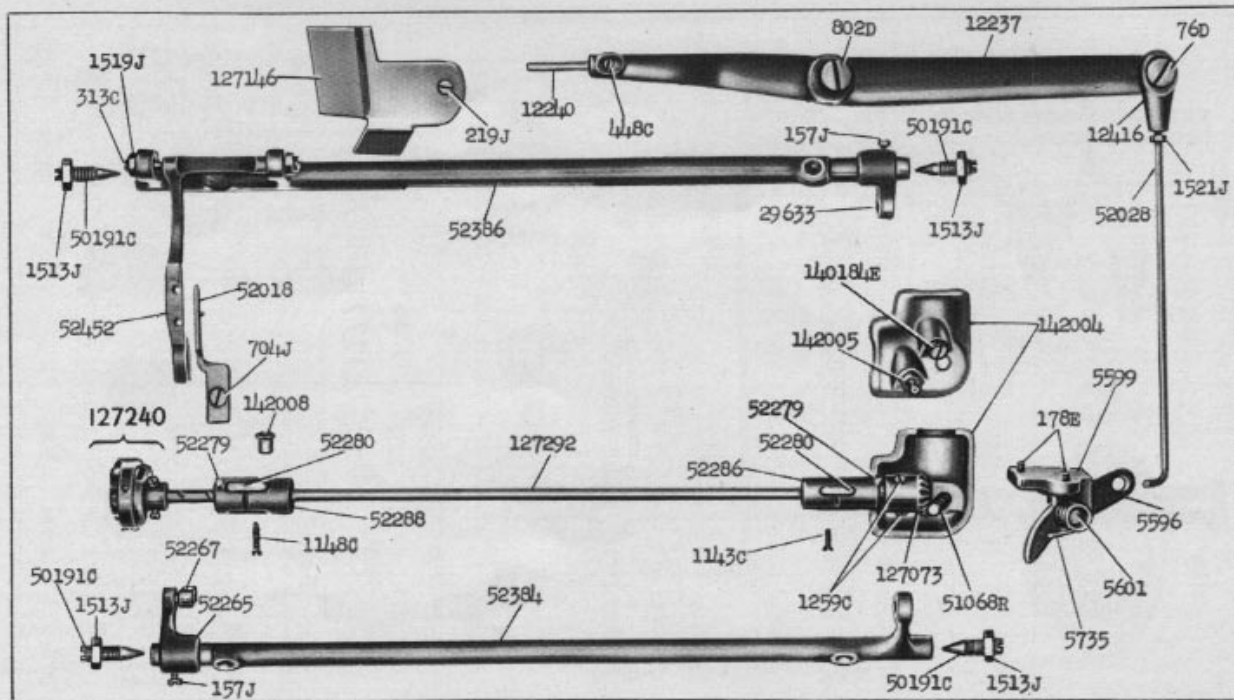
121588

121587

22981 - 1/2

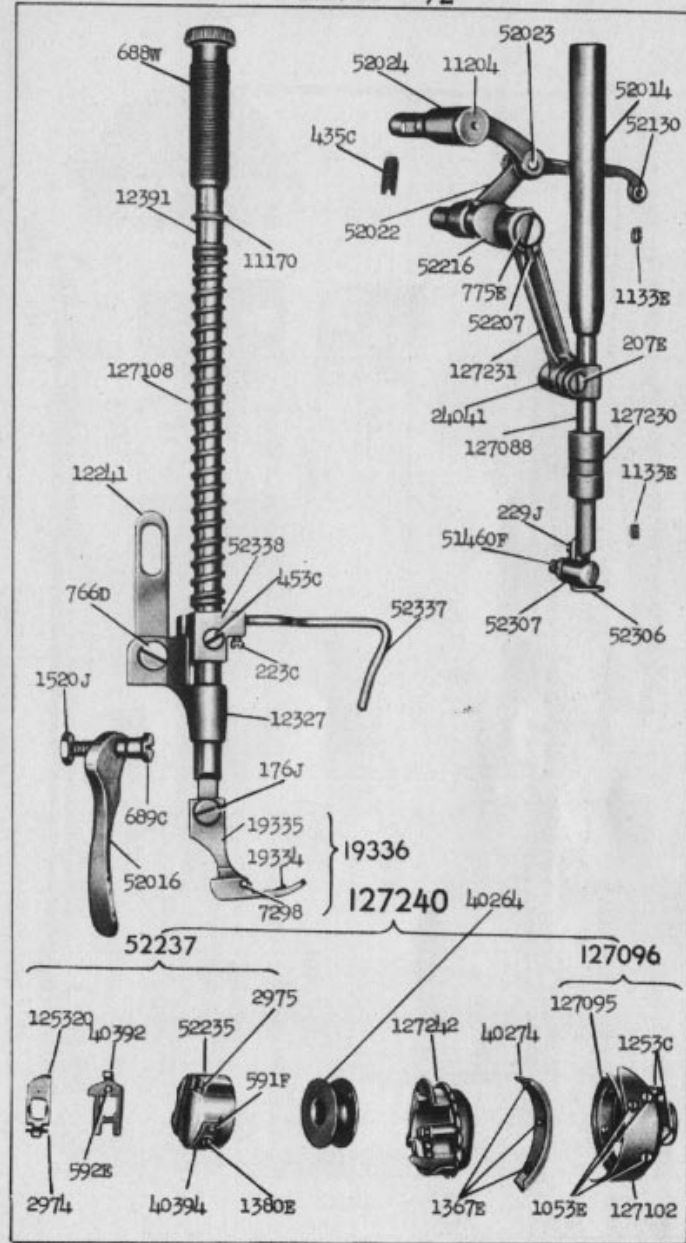


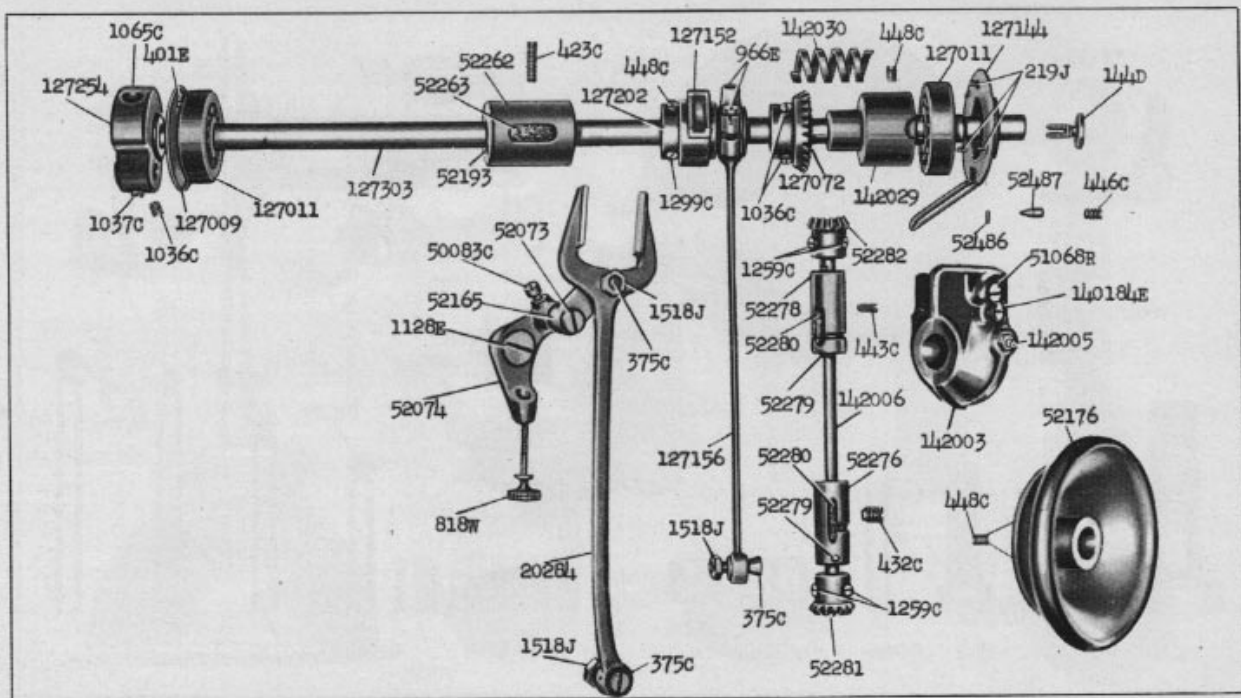
22983 - 1/2



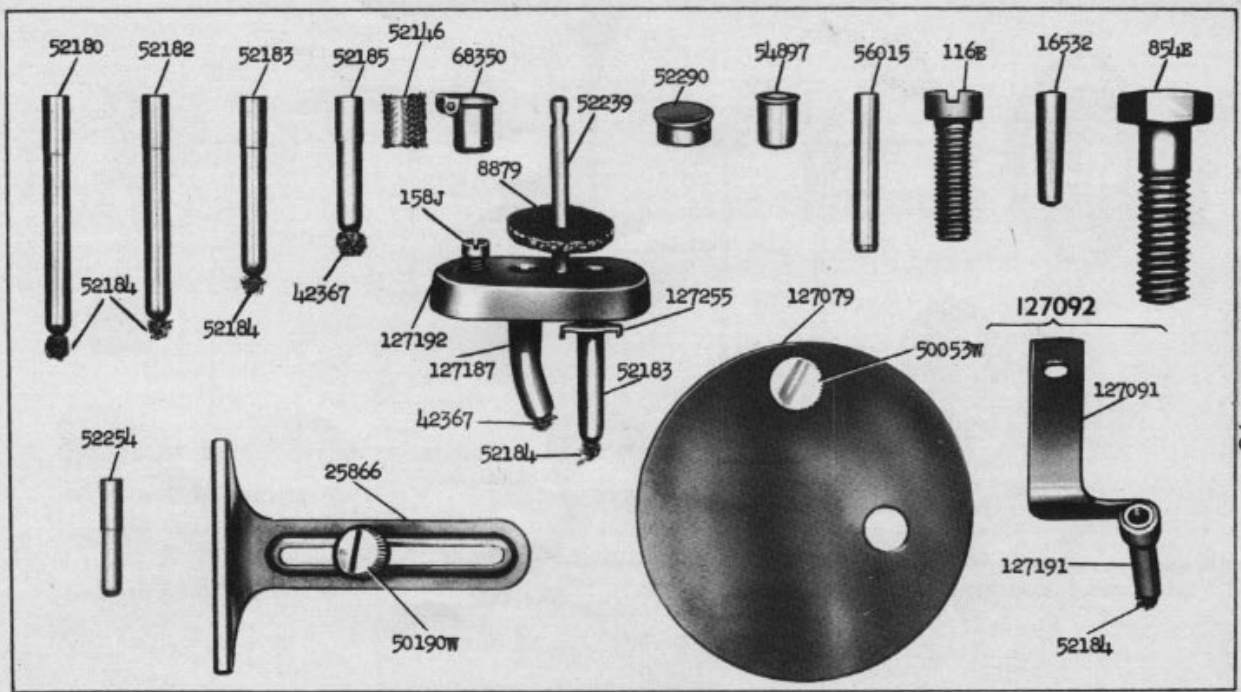
22984 - 1/3

22985 - 1/2

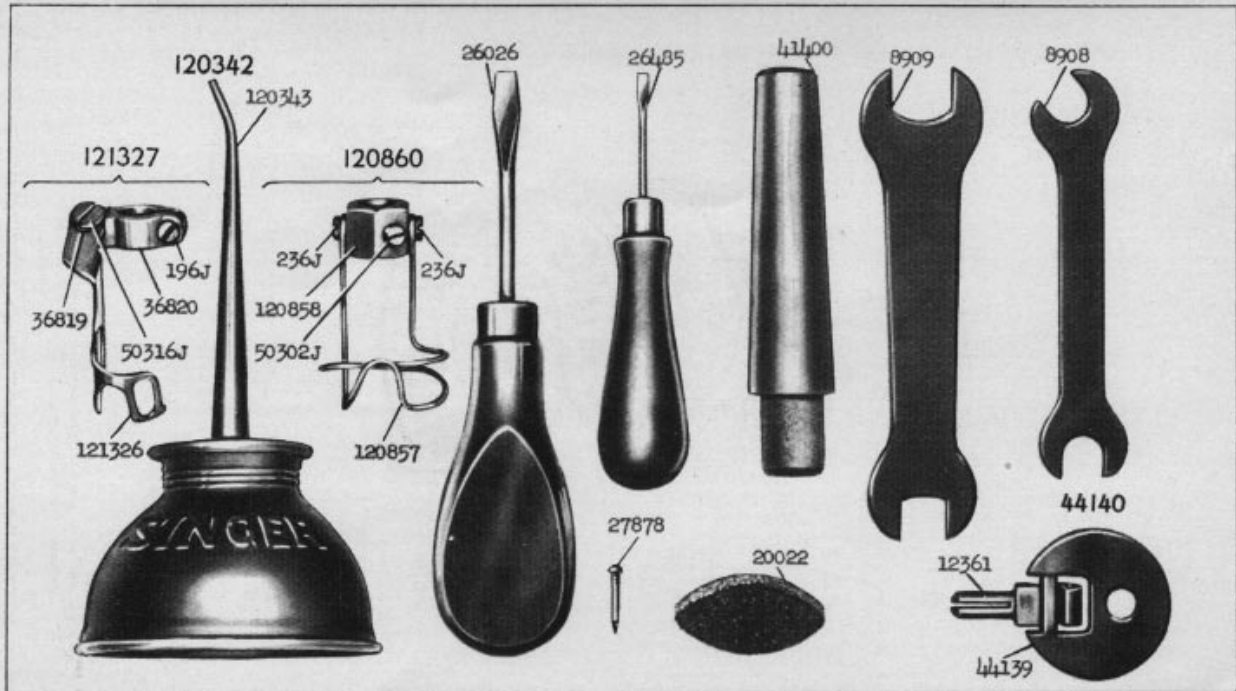




22989 - 1/3



22990 - 2/3



22996 - 1/2